

**Cleanline**



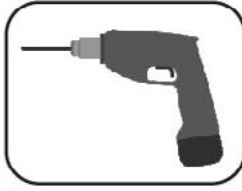
## COMPOSITE FENCING INSTALLATION GUIDE

# FULL TRELLIS FENCE

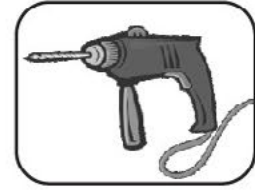
## Tools



Pencil



Electric Drill



Impact Drill



Hammer



1/2" drill bit



Post Level



Clamps



11/16" Socket  
or Wrench



Electric  
Saw

## Hardware

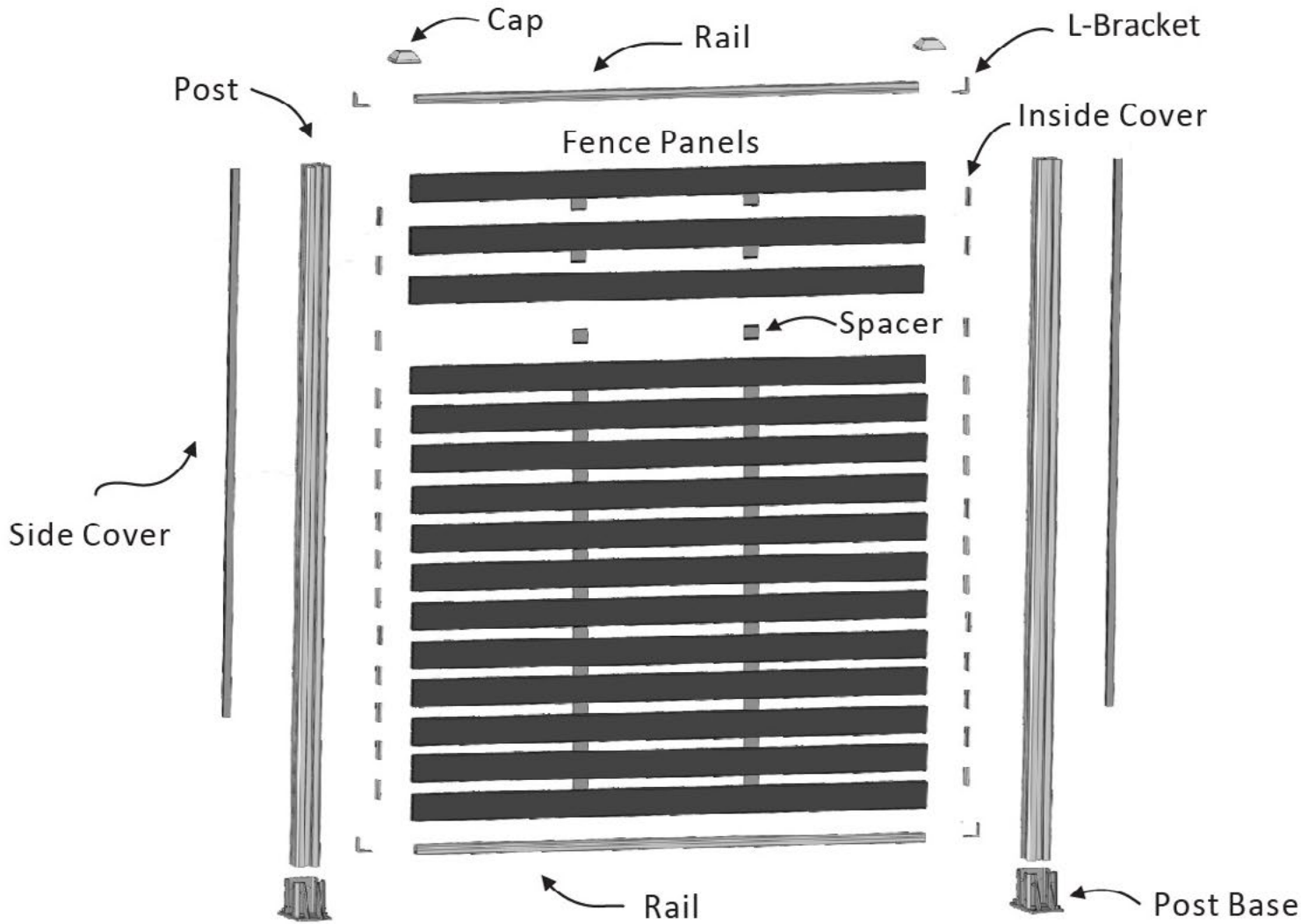


Expansion Bolts



Stainless Steel  
Self Tapping Screws

# Fence Parts



Fence Panels



Post



Side Cover



Rail



Cap



L-Bracket



Post Base

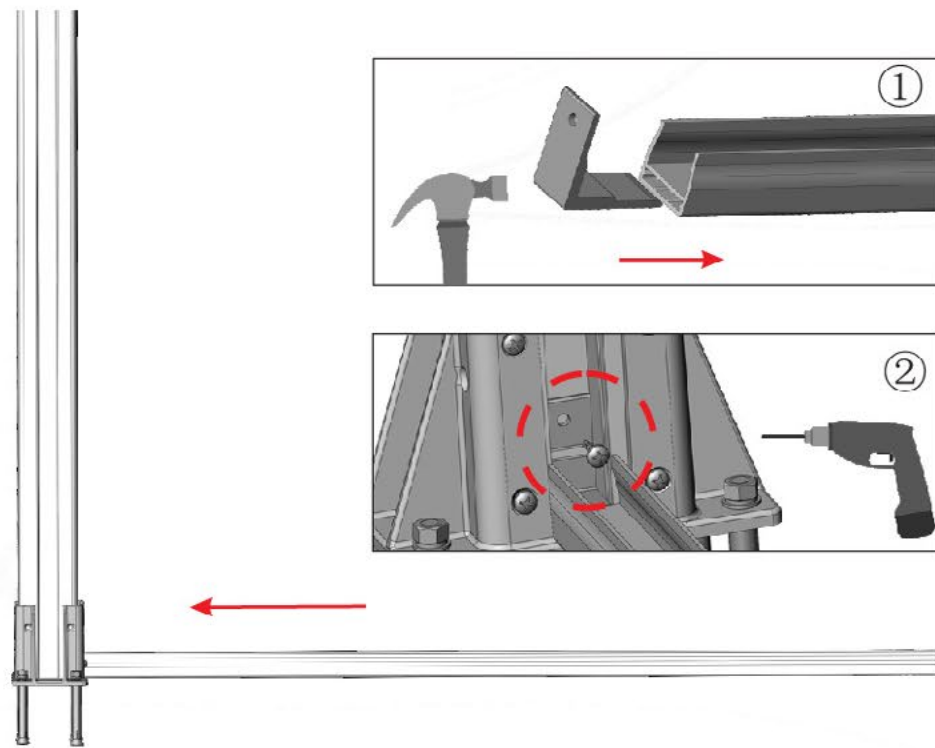


Spacer

# Installation

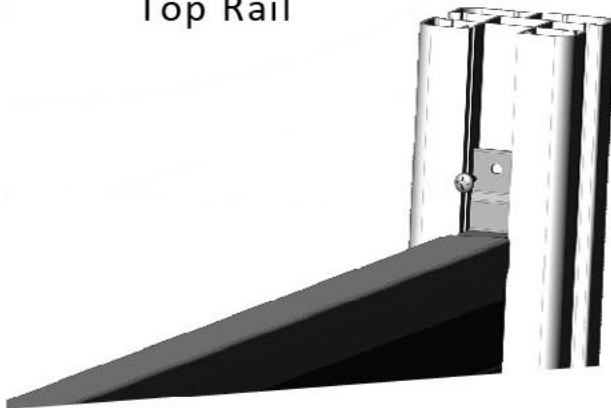
Step 1

Attach L-brackets to rails

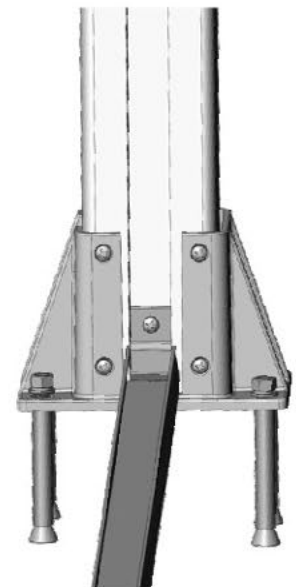


1. "Attach the top and bottom L-brackets to the rails. ①  
Note the L-brackets should always be facing up."
2. "Insert Rail into Post channel and secure the L-bracket with  
Stainless steel self-tapping screw."

Top Rail



Bottom Rail

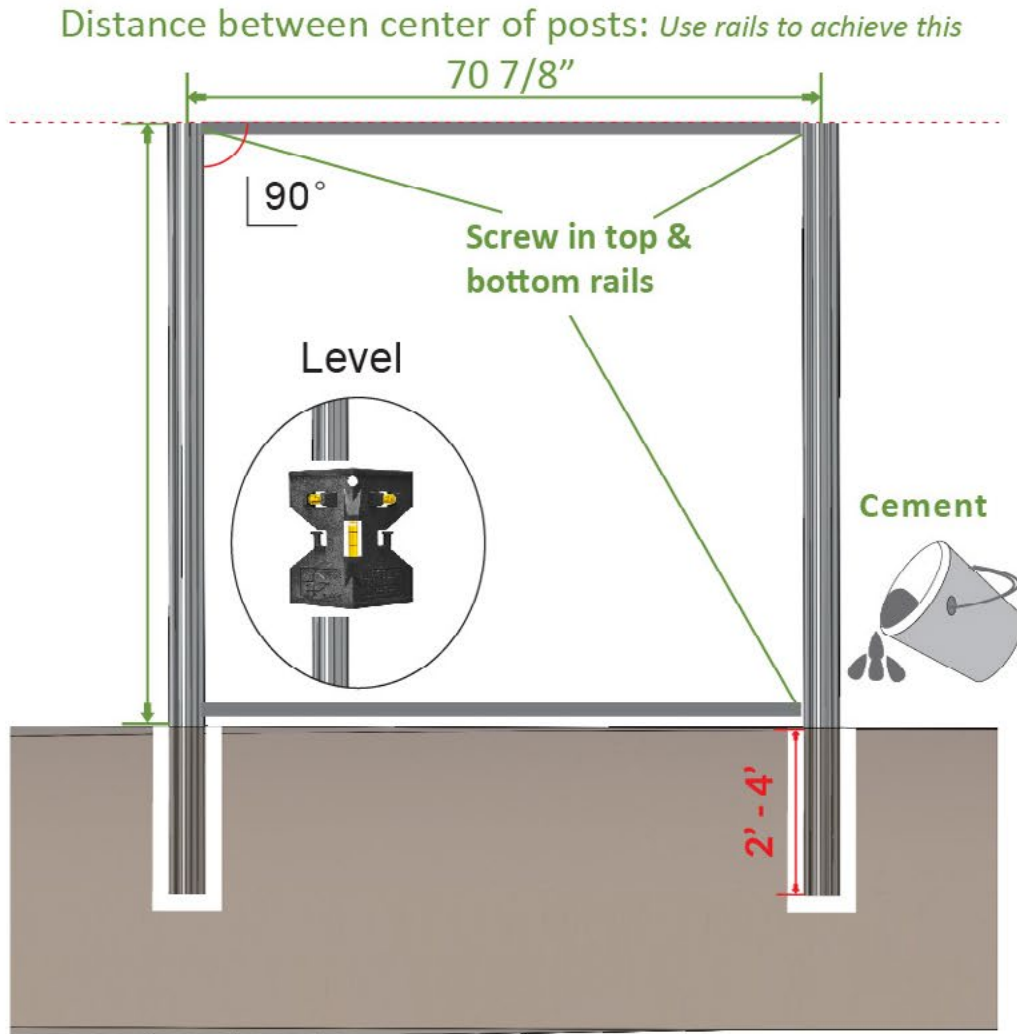


3. Attach both sides' L-brackets to the Left and Right post.

## Step 2

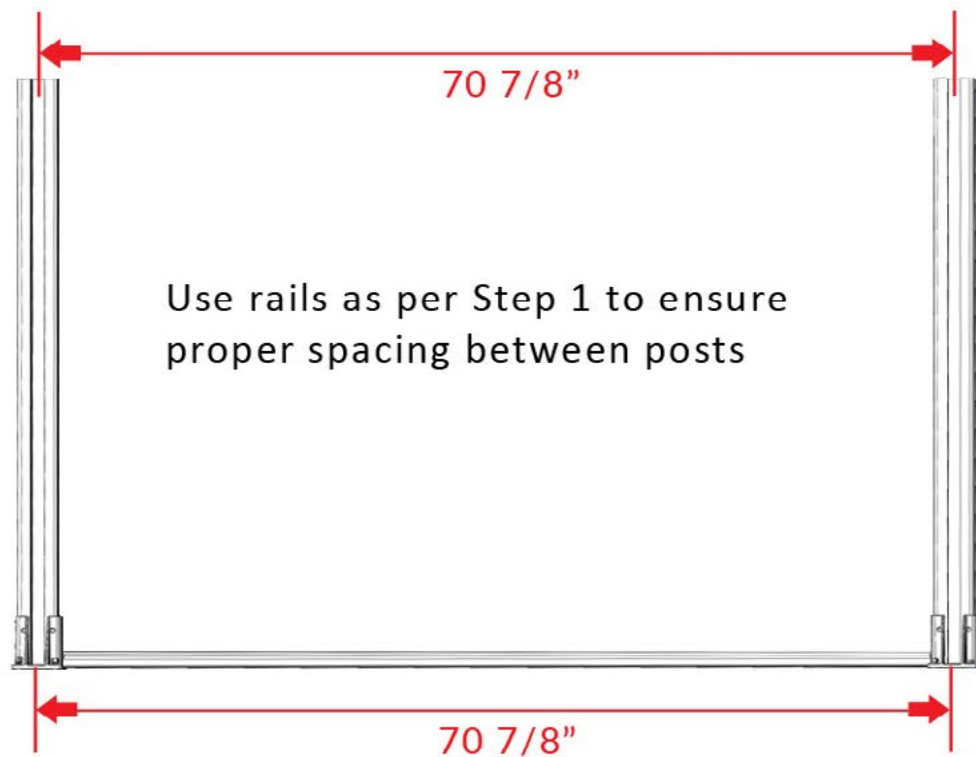
## Post Installation

Option 1: Install post by burying it into the ground

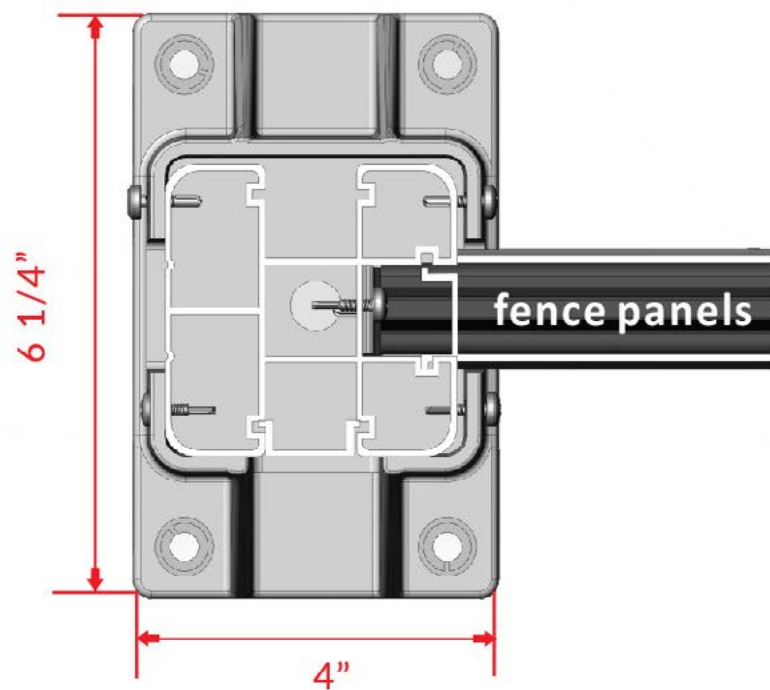


1. Determine the position of two posts (center distance of 70 7/8"), dig a hole 2' - 4' deep, then place the post vertically in the hole.
2. To ensure perfect spacing between posts, attach top and bottom rails and make sure they are level. The bottom rail should be set to desired height as it can remain in place.
3. Ensure posts are square with a post level.
4. Top of posts can be cut to proper height later.
5. Secure post with cement.

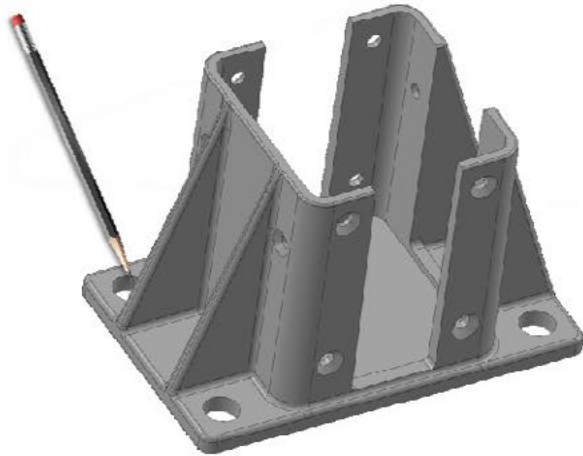
## Option 2: Install post by using Post Base



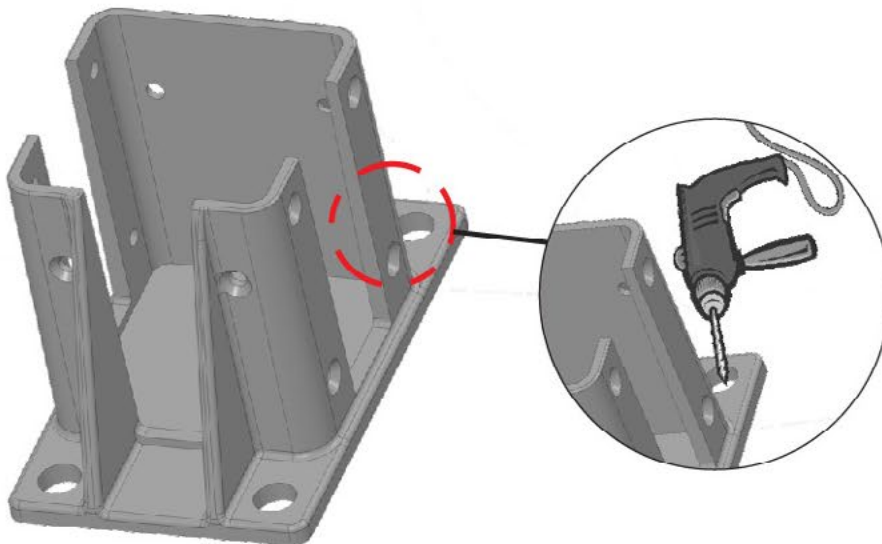
1. Determine the position of the bases, center distance should be 70 7/8".



2. Suggested Base direction: The 4" side be parallel to fence panels. The 6 1/4" side be perpendicular to fence panels.

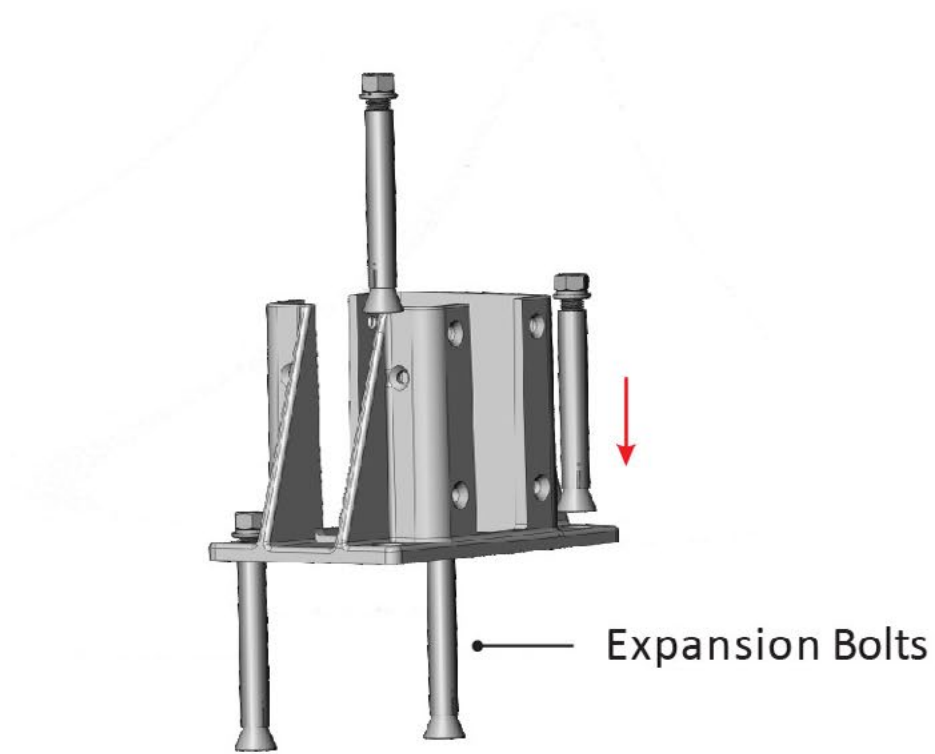


3. Mark corresponding place of holes on the ground by pencil.



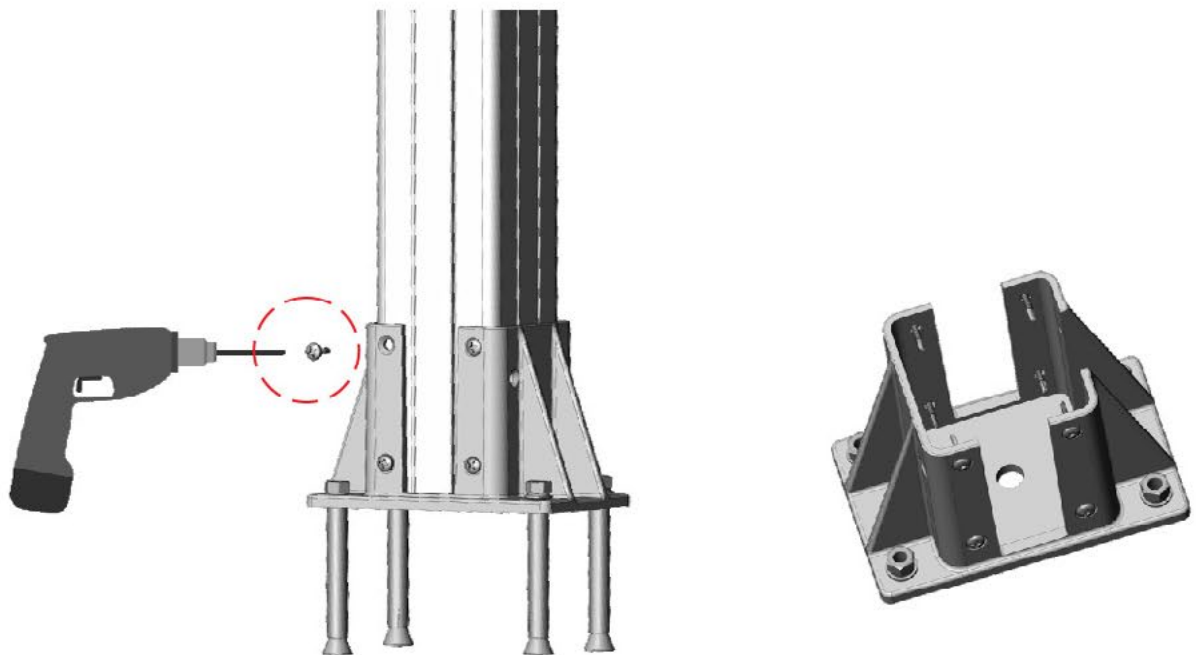
drill 4 holes  
Diameter: 1/2"  
Depth: 2 3/8"

4. Set aside the Base, then drill 4 holes by Impact Drill.  
Diameter: 1/2" ; Depth: 2 3/8"



5. Insert post into the base and keep it level. If the base needs to be shimmed to maintain a level post, galvanized washers can be used as shim under the base.

6. Secure the base down with Expansion Bolts.



7. Attach post to base with self-tapping screws.



### Step 3

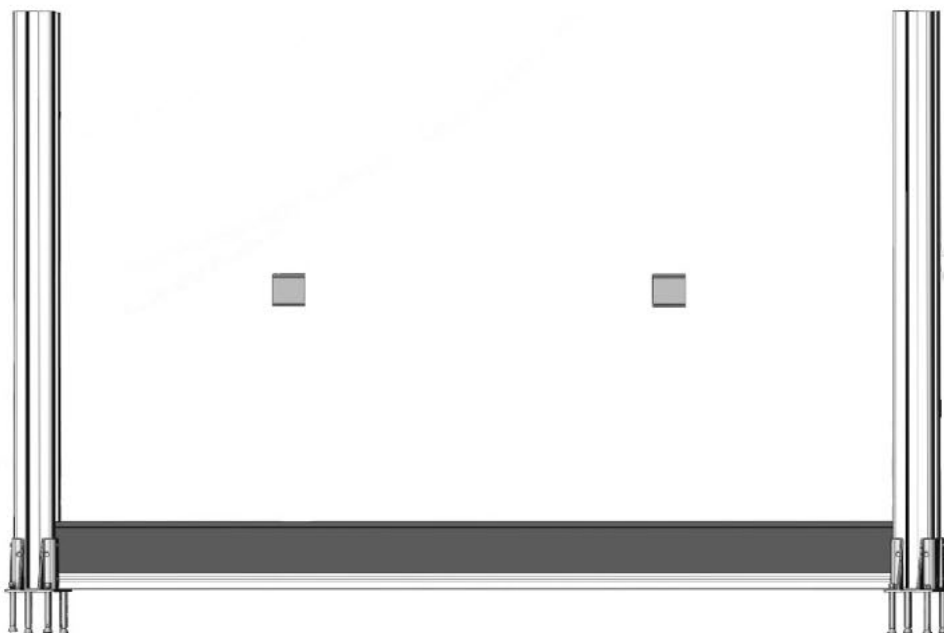
## Fence Panels Installation

*\*Remove top rail to proceed*

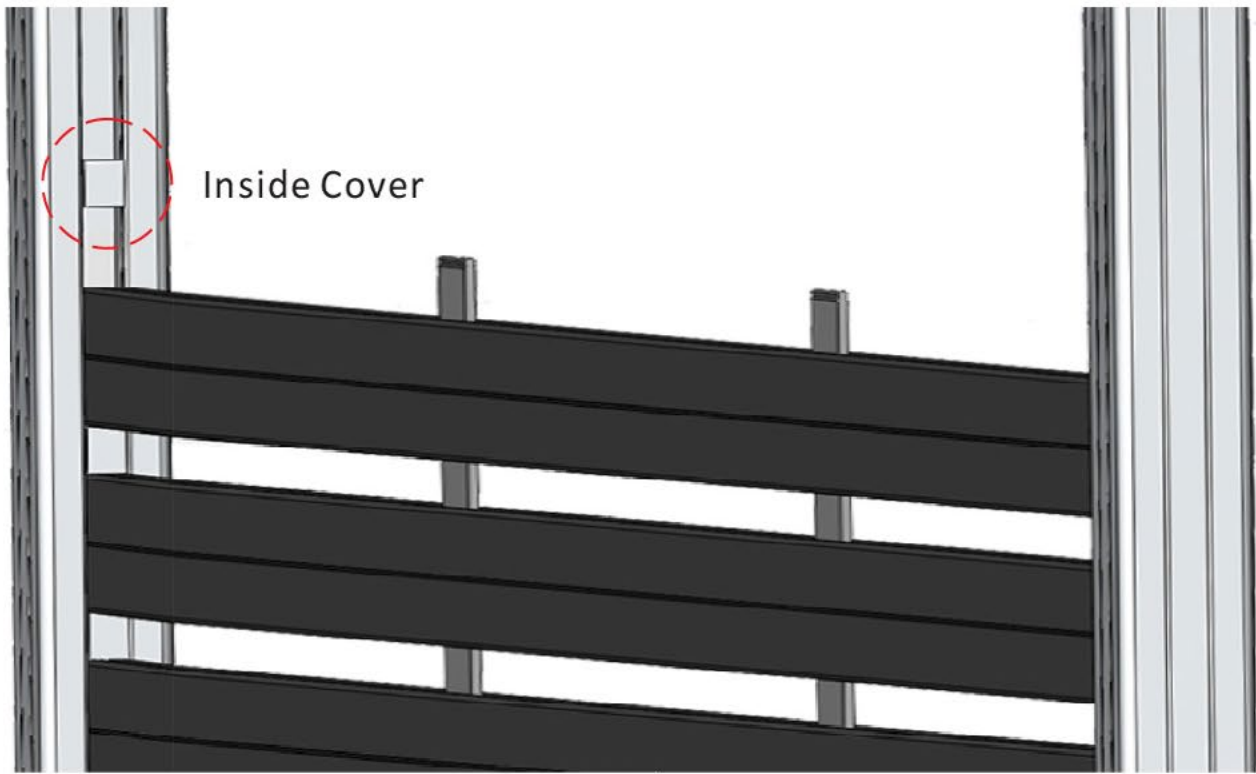


1. Slide the panels from top to bottom one by one.

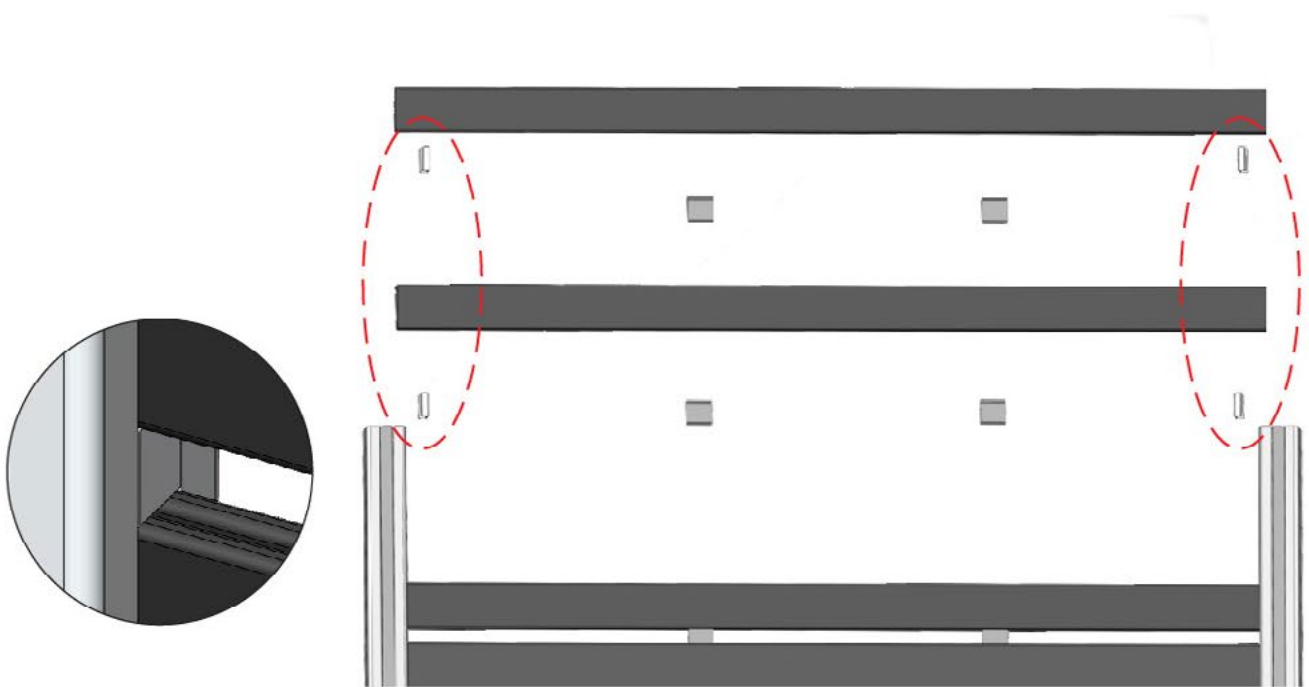
*\*Make sure that the groove on the panel is facing up, as you will need it to insert spacers.*



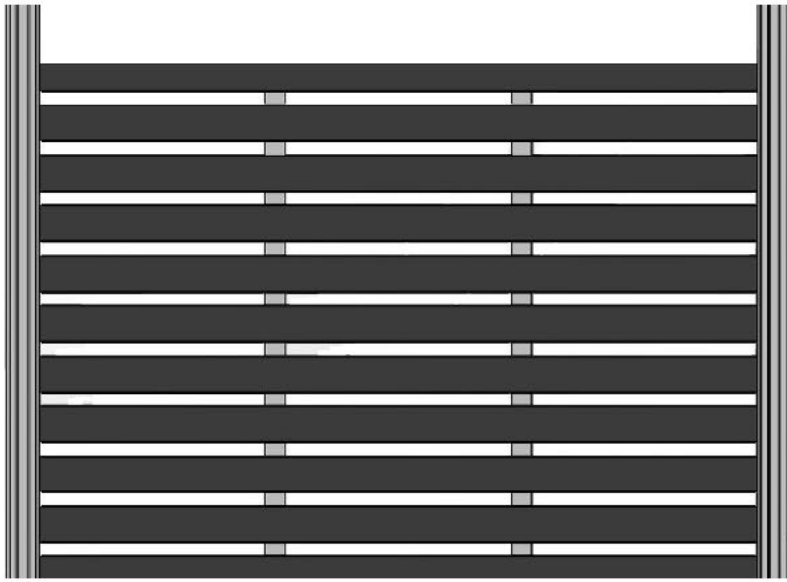
2. Insert 2 spacers in the average position on the panel.



3. Insert inside cover into both posts.

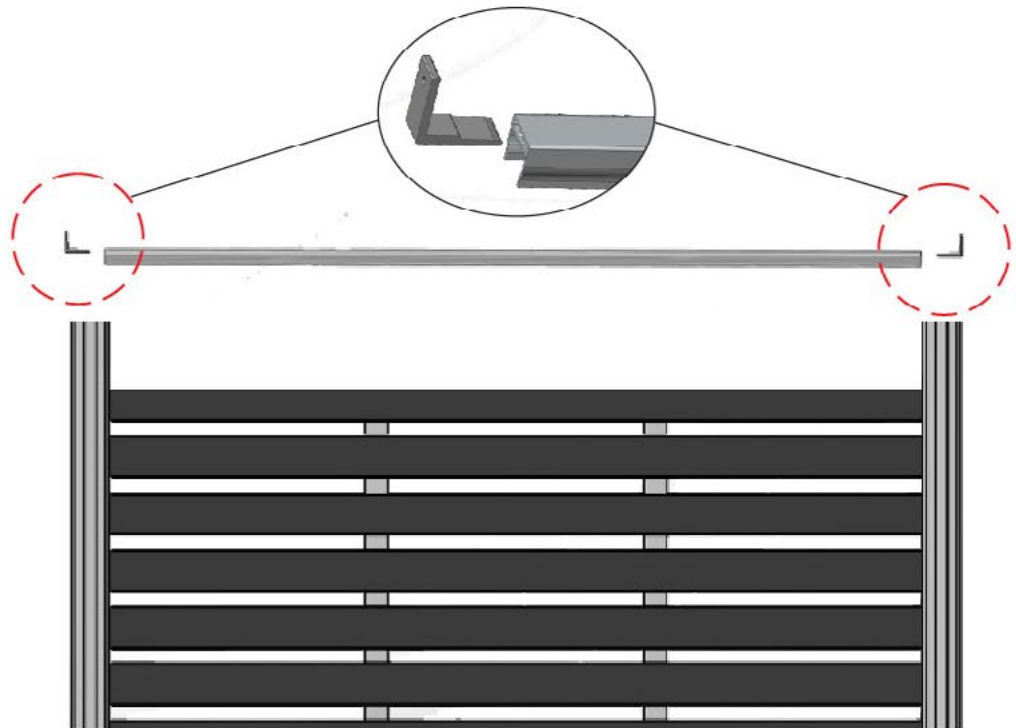


4. Follow the above step, put fence panels, spacers, inside covers accordingly.

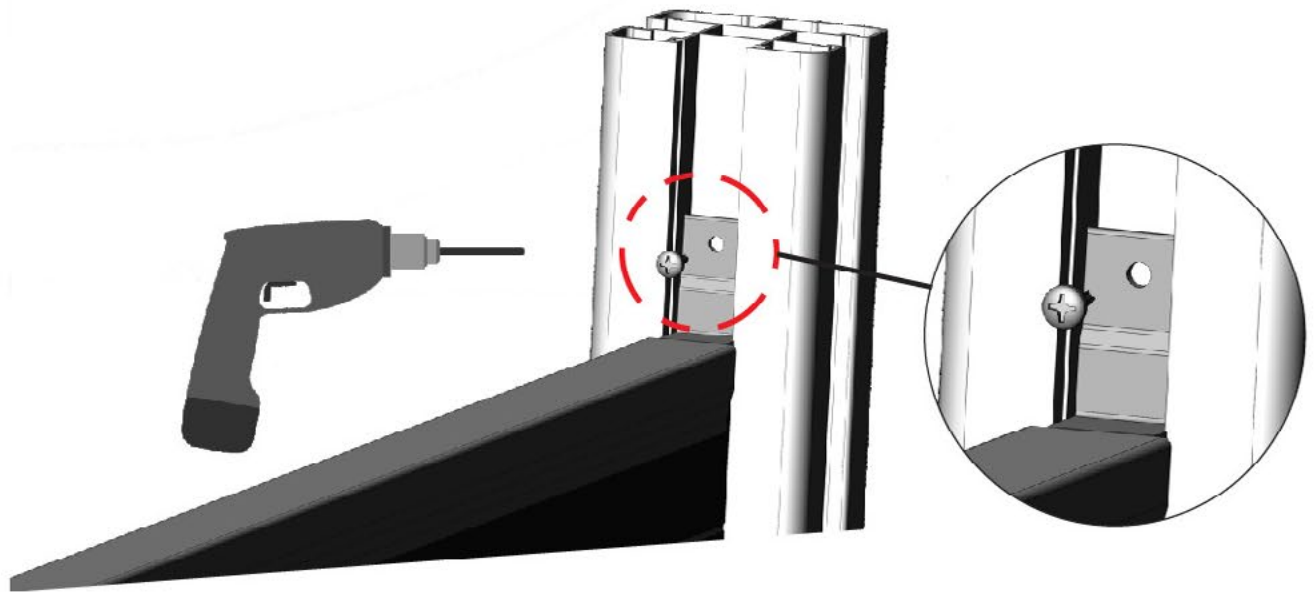


Installation complete

#### Step 4 Top Rail Installation



1. Notice the direction of Corner Brace, tap them in to the Rail.
2. Slide and embed them in the Panel after combining them together.



3. Drill the self-tapping screws into the Post

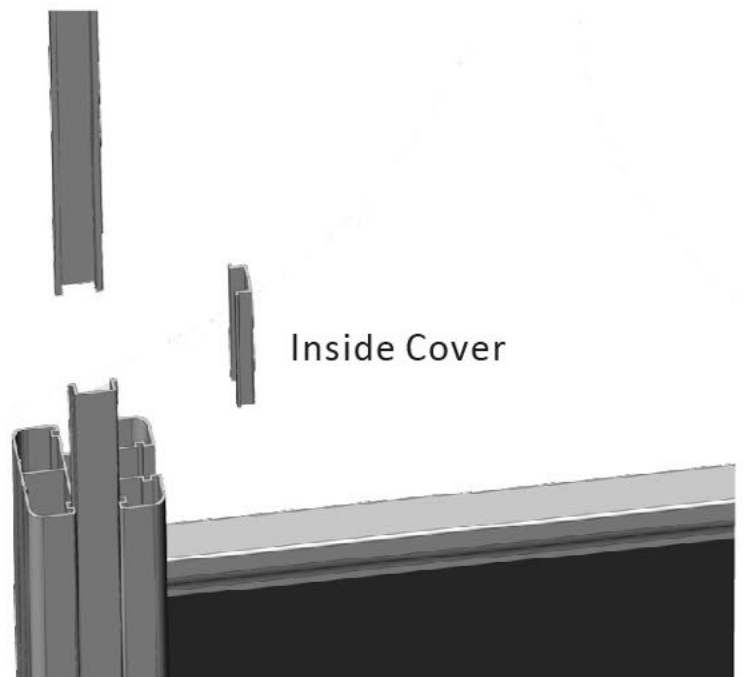
4. Fix the other side the same way.

### Step 5

### Side Cover Installation

Slide Side Covers into Post groove.

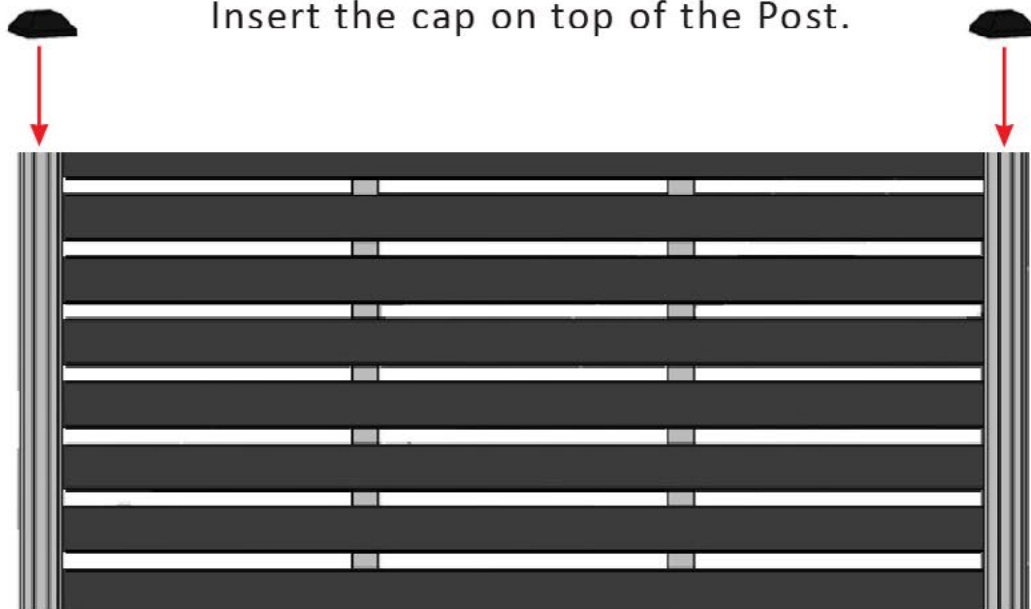
Note: Put on Inside Cover on as well.



## Step 6

## Cap Installation

Insert the cap on top of the Post.



## Step 7

Using a hard bristled brush and water, give the panels a scrub to remove a thin water soluble film from the panels. If you skip this step, you will see watermarks after rain falls.

